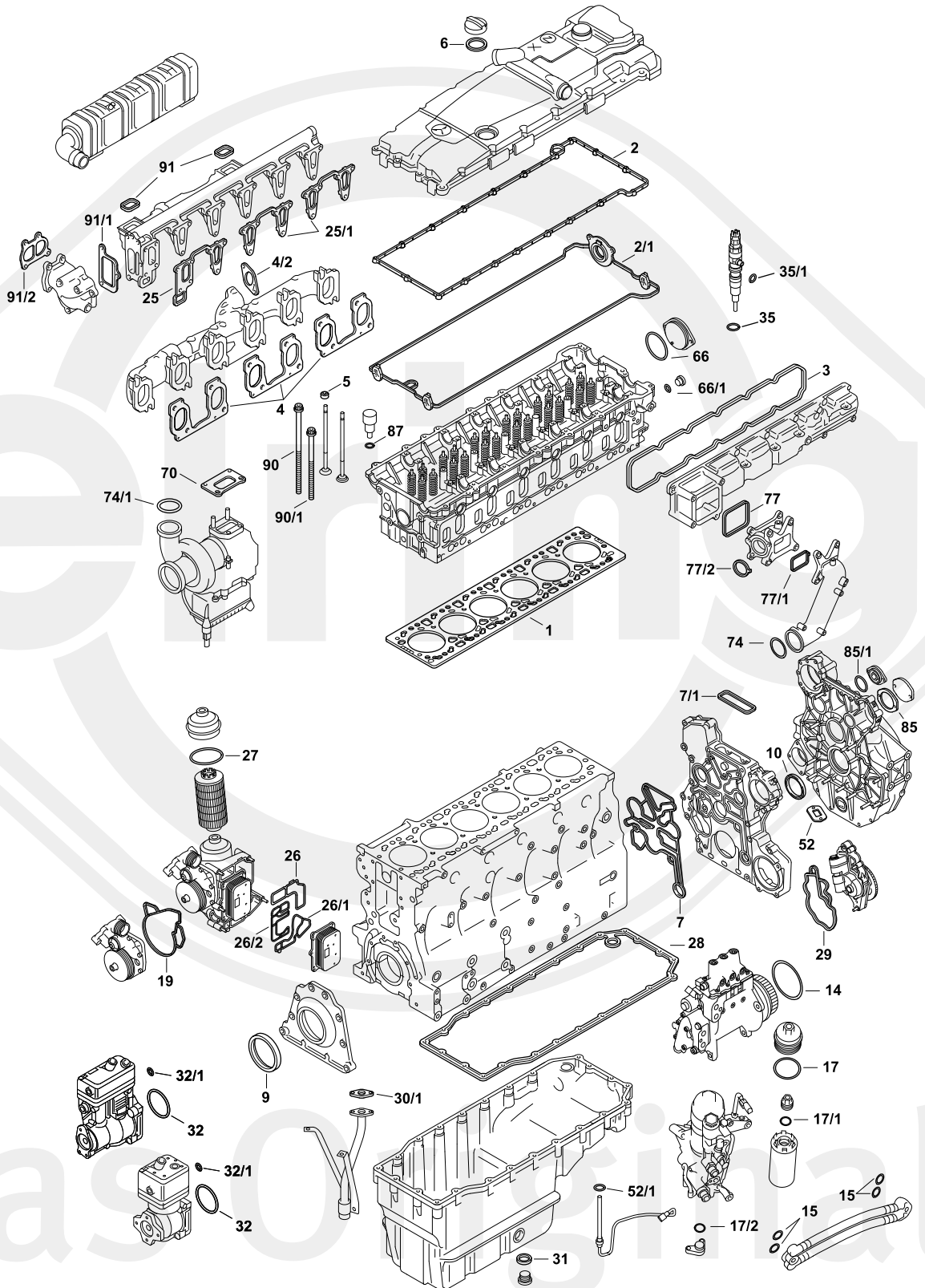




Das Original

Mercedes-Benz

OM 936





936.910 | 912 | 913 | 915 | 916 | 917 | 919 | 923




936.971-973 | 975 | 977 | 980 | 990-993

935.990 | 991

Detroit Diesel DD8

MTU 6R 1000



S	-	-	-	-	-
ES ⊕	822.520	1x	-	-	
ES ⊕	858.450	1x	-	-	   gas engine
CS*	822.590	1x	-	-	<del></del>
TLS	822.310	1x	-	-	incl. 534.370
TLS	822.510	1x	-	-	-
ZKS	445.210	1x	-	-	exhaust gas cooler/Abgaskühler
SZ	867.150	1x	-	-	water housing/Kühlmittelgehäuse
SZ	872.620	1x	-	-	-

1	698.332	1x	936 016 05 20	-	Gas Motor/Gas Engine
1	797.501	1x	936 016 06 20	-	-
2	567.310	1x	936 016 01 21	ACM	-
2/1	845.880	1x	936 016 08 80	ACM	-
2/1	845.850	1x	936 016 09 80	ACM	-
3	567.320	1x	936 098 17 80	-	-
4	534.370	3x	936 142 00 80	-	-
4/2		1x	936 142 08 80	-	-
5	038.690	24x	936 053 01 58	8x11,6/14,8x10,9 FPM	-
6		1x	111 018 00 80	-	-
7	444.900	1x	936 997 15 45	-	-
7/1		1x	936 997 08 45	-	-
9	445.591	1x	022 997 76 47	78x104x11 AW/BS RD PTFE	-
10	354.090	1x	025 997 50 47	115x140x12 AW/BS LD PTFE/ACM	-
14	651.270	1x	027 997 90 45	-	-
15		4x	936 098 16 80	-	-
17		1x	024 997 04 45	-	-
17/1		1x	024 997 05 45	-	-
17/2		1x	936 098 16 80	-	-
19	704.880	1x	936 201 02 80	-	-
19	821.590	1x	936 201 04 80	-	 936.971/975/977
25		1x	936 142 13 80	-	-



936.910 | 912 | 913 | 915 | 916 | 917 | 919 | 923

936.971-973 | 975 | 977 | 980 | 990-993

935.990 | 991

Detroit Diesel DD8

MTU 6R 1000



25/1		2x	936 142 14 80	-	-
26		1x	936 184 01 80	-	-
26/1		1x	936 184 03 80	-	-
26/2		1x	936 188 01 80	-	-
27		1x	019 997 78 45	-	-
28	<b>220.180</b>	1x	936 014 03 22	AEM	
28	<b>415.770</b>	1x	936 014 05 22	EWP/soft material	
28	<b>821.320</b>	1x	936 014 02 22	FE/ACM	
29	<b>697.800</b>	1x	936 184 00 80	-	-
30/1	-	1x	936 014 06 22	-	-
31	<b>804.990</b>	1x	000000 001070	18x24x1,5 CU/ZNN A	-
32	<b>651.250</b>	1x	023 997 71 45	125,2x131,4x3,1 FPM RD	-
32/1		1x	002 131 12 80	-	-
35		6x	028 997 67 45	27x2,4 FPM RD	-
35/1		6x	028 997 68 45	13x1,5 FPM RD	-
52	-	1x	904 015 00 30	-	-
52/1	<b>805.020</b>	1x	000000 001072	20x26x1,5 CU A	-
66		1x	019 997 54 45	-	-
66/1	<b>805.010</b>	1x	000000 001071	18x24x1,5 CU A	-
70	<b>191.770</b>	1x	936 142 19 80	-	-
77		1x	936 098 18 80	-	-
77/1		1x	936 098 19 80	-	-
77/2		1x	936 098 11 80	-	-
74	-	1x	023 997 00 48	-	-
74/1	<b>268.402</b>	1x	028 997 63 48	44x4 FPM RD	-
85	<b>004.180</b>	1x	000 236 17 80	-	-
85/1		1x	022 997 89 45	-	-
87		1x	936 997 04 45	-	-
90	-	14x	003 990 11 00	M14x241	-
90/1	-	12x	003 990 12 00	M14x204	-
91	<b>757.360</b>	2x	936 142 07 80	-	-
91/1	-	1x	936 203 07 80	-	-
91/2		1x	936 203 06 80	-	-