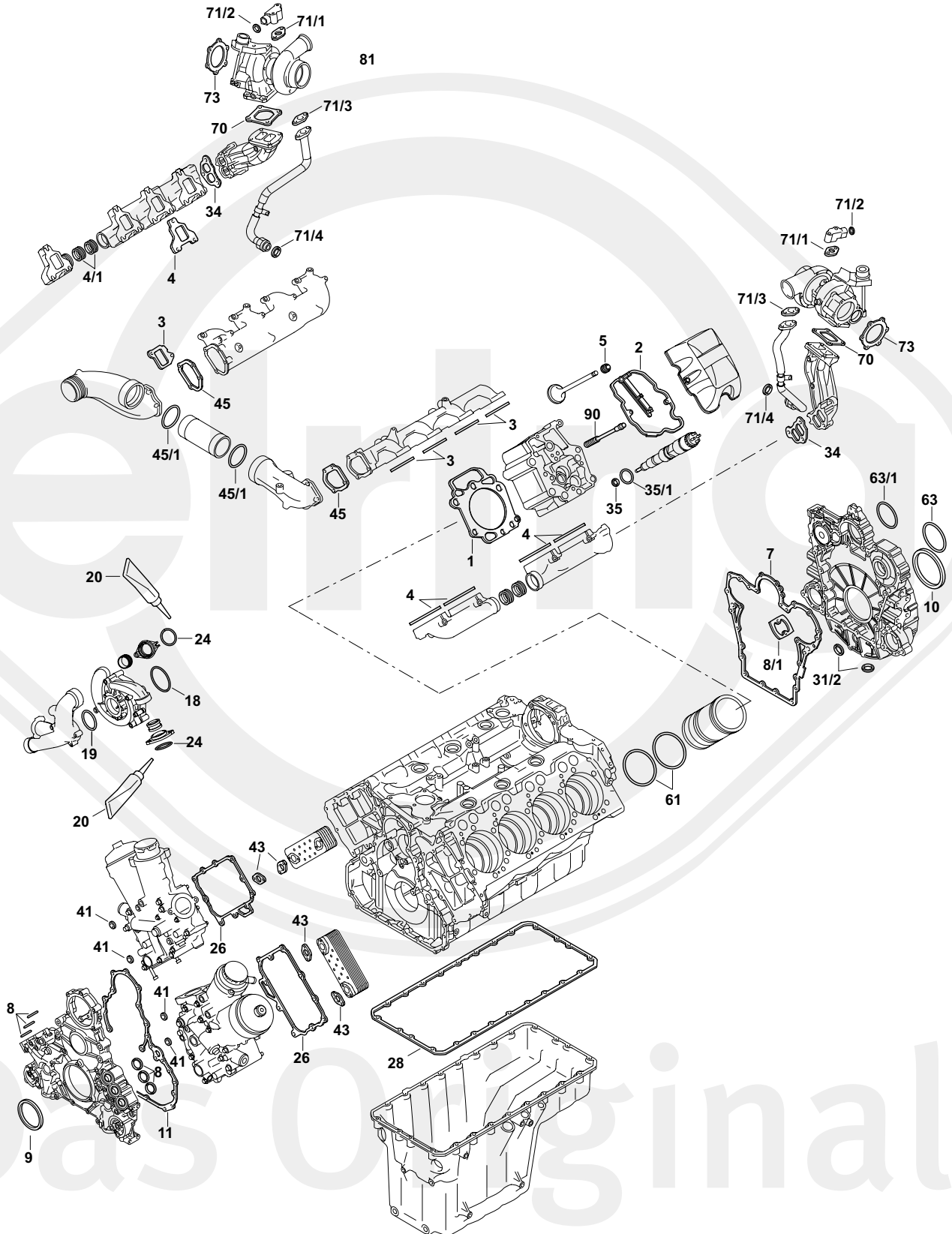




Das Original

MAN

D 2868

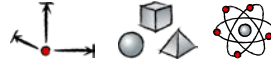








D 2868 LF 02 | 03 | 04-07

D 2868 LFG 01

D 2868 LE 121-123



S ⊕*	846.420	1x	51.00900-6727	–	D2868 LE121-123 LF 02/03/04-07
ES ⊕	698.520	8x	51.00900-6728	D2868 LF/LFG/LE121/122	 396.250 Ø 129 mm D2868 LF/LFG/LE 121/122/123
ES ⊕	352.570	8x	51.00900-6735	D2868 LE4XX	 396.250 Ø 129 mm D2868 LE4XX
ES ⊕	380.920	12x	51.00900-6737	D2862 LE4XX	 396.250 Ø 129mm
ES ⊕	449.920	8x	51.00900-6792	E3268 LE	 492.800 Ø 133mm
ES ⊕	449.920	12x	51.00900-6792	E3262 LE	 492.800 Ø 133mm
ZKS	698.530	8x	–	M18x2x246 10.9	incl. 51.90020-0421 (6x)
ZKS	848.330	8x	–	M18x2x246 11.9	incl. 51.90020-0470 (6x)
1	396.250	8x	51.03901-0396	Ø 129 mm	–
1	569.090	8x	–	Ø 129 mm $\frac{+}{-}$ 1,5 mm	–
1	492.800	8x	51.03901-0401	Ø 133 mm	–
3	585.110	8x	51.08902-0222	–	–
4	490.200	8x	51.08901-0190	–	–
4/1	374.640	16x	51.98701-0120	–	–
5	814.882	16x	51.04902-0033	9x12/15,4x11 FPM	
5	698.490	16x	51.04902-0035	9x12/16x12 FPM	
7	369.143	1x	51.01904-0013	–	–
8		6x	06.56936-1612	32x5 FPM RD	–
8/1		1x	51.96601-0602	EWP / soft material	–
9	306.760	1x	51.01510-0279	110x130x12 ASW RD PTFE/ACM	–
10	250.760	1x	51.01510-0277	139x164x12 AW LD PTFE/ACM	–
11	490.191	1x	51.01903-0331	–	–
18		1x	06.56936-3535	115x2,5 FPM RD	–
19	130.970	1x	06.56936-3004	86x5 FPM RD	–
19/1	153.280	1x	06.56631-0111	24,7x32x2 FE/FPM A	–
19/2	153.270	1x	06.56631-0106	14,7x22x1,5 FE/FPM A	–
20	471.081	–	04.90300-9030	60 ml	 Curil T
22	021.411	1x	51.06904-0042	–	–
23	088.872	2x	06.56939-0094	60x4,2 EPDM RD	–



D 2868 LF 02 | 03 | 04-07

D 2868 LFG 01

D 2868 LE 121-123



24		2x	06.56936-2709	73x3 FPM RD	-
26	492.900	2x	51.05902-0066	-	-
26/1	354.840	1x	51.05901-0137	-	-
28	387.630	1x	51.05904-0208	EWP/soft material	-
31		1x	51.96601-0352	26x37x2 CU A	-
31/2	-	-	06.56631-0130	38,7x46x2,5 FE/FPM	-
34	396.370	2x	51.08901-0256	-	-
34/1	632.610	1x	51.08901-0274	-	-
34/2	442.332	1x	51.08901-0270	-	-
35	585.100	8x	51.98701-0139	7,6x14,4x1,5 CU A	-
35/1		8x	06.56333-2256	24x3 FPM RD	-
38	153.290	-	06.56631-0107	16,7x24x1,5 FE/FPM A	-
41	153.270	6x	06.56631-0106	14,7x22x1,5 FE/FPM A	-
43	759.296	4x	06.56254-2203	-	-
45	508.760	2x	51.08902-0224	-	-
45/1	130.970	2x	06.56936-3004	86x5 FPM RD	-
61	249.230	16x	51.96501-0740	150x4x4,7 FPM PR	-
63		1x	06.56936-3987	145,64x3,53 FPM RD	-
63/1		1x	06.56936-3607	120x3,5 FPM RD	-
70	139.090	2x	51.08901-0182	-	-
71/1	803.970	2x	51.96601-0577	-	-
71/2	153.270	2x	06.56631-0106	14,7x22x1,5 FE/FPM	-
71/3	303.421	2x	51.96601-0576	-	-
71/4	457.320	2x	06.56631-0112	26,7x35x2 FE/FPM	-
73	155.570	2x	51.08901-0209	-	-
80	006.420	10x	51.96210-0080	-	-
90	698.530	8x	51.90020-0421	M18x2x246 10.9	6x 51.90020-0421
90	848.330	8x	51.90020-0470	M18x2x246 11.9	6x 51.90020-0470