

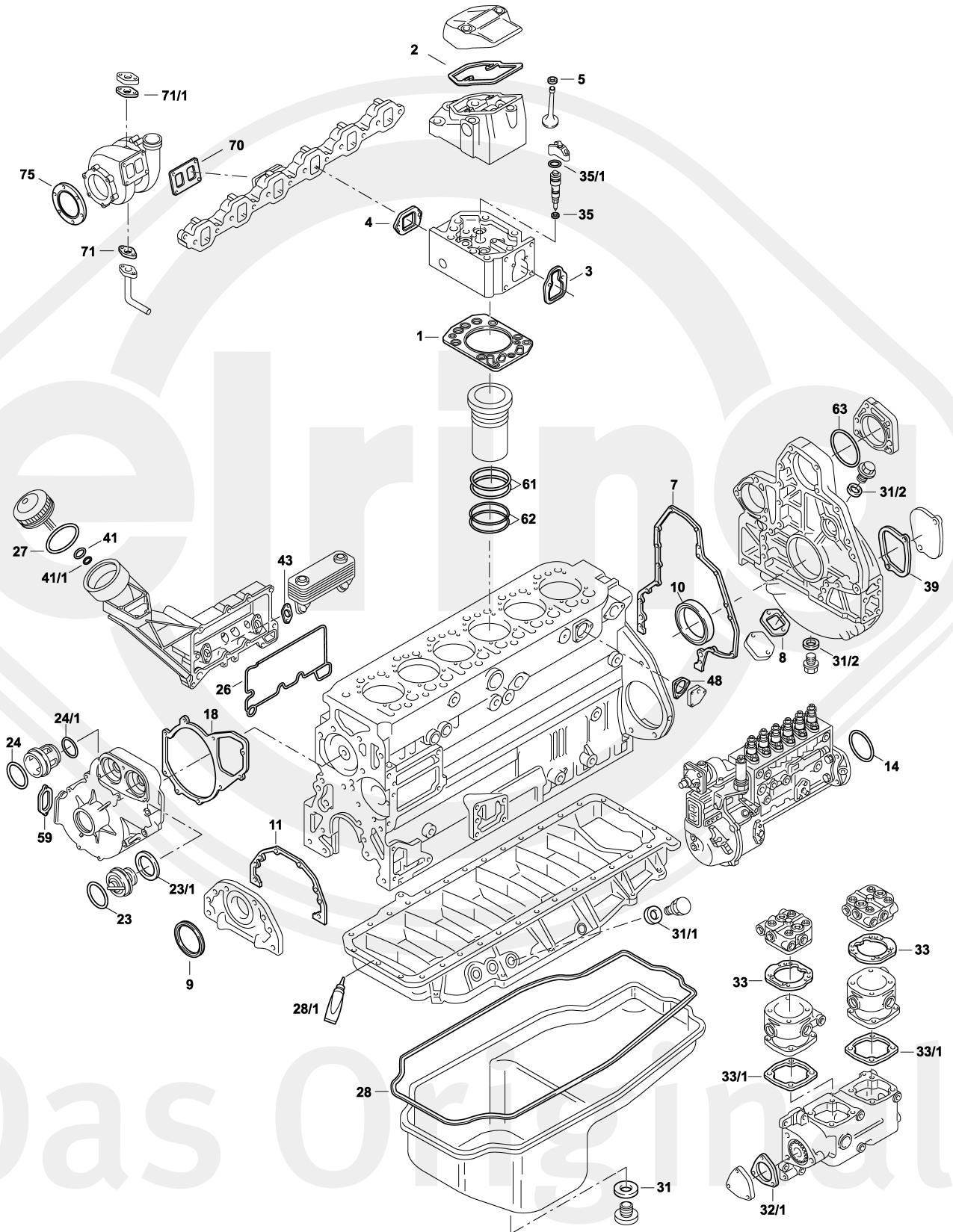


Das Original

MAN

D 2866 4V

D 2876 4V





Das Original

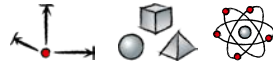
D 2866 LF 23-28 | 30-32 | 35-37 | 41 | 45

D 2876 LFG 01

D 2876 LF 03-11 | 14 | 17-20

D 2876 LOH 02 | 03 | 05

D 2876 LUH 01 | 02 | 03



S ⊕ *	061.691	1x	51.00900-6635	-	D 2866 LF LOH D 2876 LF 04/05/07/11/18-23/24 LFG 01
S ⊕ *	896.970	1x	51.00900-6659	-	D 2866 LF LOH D 2876 LFG 01 LOH 01-05
S ⊕ *	196.020	1x	51.00900-6624	-	D 2876 LUH 01/02/03
ES ⊕	296.770	6x	51.00900-6630	-	829.722
ES ⊕	369.910	6x	51.00900-6658	-	099.980
CS *	353.551	1x	-	-	
ZLBS	542.340	6x	-	-	incl. 51.96501-0745 (2x) & 51.96501-0746 (2x)
ZLBS	216.941	6x	-	-	incl. 51.96501-0540 (1x) & 51.96501-0522 (2x)
VAS	830.941	2x	-	-	incl. 51.04902-0033 (12x)
ZKS	015.920	6x	51.90490-6001	M15x2x198/259,5	-
TLS	716.080	1x	-	-	-
TLS	716.090	1x	-	-	-
1	099.980	6x	51.03901-0382	Ø 129 mm	
1	829.722	6x	51.03901-0338	Ø 144 mm	
2	123.410	5x	51.03905-0157	ME	Without cable bushing
2	123.420	1x	51.03905-0161	ME	With cable bushing
3	360.751	6x	51.08902-0194	-	-
4	762.940	6x	51.08901-0152	-	-
5	814.882	24x	51.04902-0033	9x12/15,4x11 FPM	-
7	829.595	1x	51.01903-0252	-	-
8	705.708	1x	04.10394-9292	70 ml	Dirko™ HT
9	766.853	1x	51.01510-6004	105x130x12 AW/BS RD PTFE/ACM	-
10	766.829	1x	51.01510-0206	120x140x13 AW/BS LD PTFE/ACM	-
10/1	828.637	1x	51.01501-6012	120x140x13 AW/BS LD PTFE/ACM	51.02130-0013
11	834.556	1x	51.01903-0251	-	-
14	106.607	1x	51.96501-0346	138x3,5 FPM RD	-
18	756.882	1x	51.06901-0147	-	-



Das Original

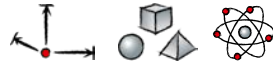
D 2866 LF 23-28 | 30-32 | 35-37 | 41 | 45

D 2876 LFG 01

D 2876 LF 03-11 | 14 | 17-20

D 2876 LOH 02 | 03 | 05

D 2876 LUH 01 | 02 | 03



23	088.872	1x	06.56341-2122	60x4,2 EPDM RD	-
23/1	977.447	1x	51.06901-0108	-	-
24	088.872	1x	06.56341-2122	60x4,2 EPDM RD	-
24/1	095.842	1x	51.96501-0337	36,5x3,5 NBR RD	-
26	829.589	1x	51.05901-0119	EWP/soft material	-
26	012.300	1x	51.05901-0122	Elastomer/Rubber/Caoutchouc/ Goma	-
27	147.760	2x	06.56933-6408	91x4 ACM RD	-
28	845.541	1x	51.05904-0198	Elastomer/Rubber/Caoutchouc/ Goma	-
28/1	610.023	1x	04.10394-9272	310 ml	 Dirko™ HT 
31	153.260	1x	06.56631-0110	22,7x30x2 FE/FPM A	-
31/1	122.904	1x	06.56190-0713	18x24x1,5 CU A	-
31/2	115.100	2x	06.56190-0706	14x20x1,5 CU A	-
32/1	465.766	1x	04.10394-9256	310 ml	 Dirko™ HT 
33	775.790	2x	51.54901-0027	-	-
33/1	756.220	1x	51.54901-0028	-	-
35	296.660	6x	51.98701-0111	7,3x15x1 CU A	-
35/1	296.520	6x	06.56936-6409	24,6x2,5 FPM RD	-
37	108.790	6x	51.96501-0348	6,2x11x1 CU PR	-
39	036.164	1x	04.10394-9292	70 ml	 Dirko™ HT 
41	804.110	2x	06.56939-0027	31,42x2,62 FPM RD	-
43	759.296	2x	51.96601-0416	-	-
59	768.392	1x	51.06901-0111	EWP/soft material	-
61	803.881	12x	51.96501-0745	138x2,1 FPM-PX RD	-
61	131.020	6x	51.96501-0540	136x3,35/4,6 FPM RD	-
62	863.631	12x	51.96501-0746	144x4 FPM-PX RD	-
63	244.848	1x	51.96501-0324	126x3 FPM RD	-
70	321.541	1x	51.08901-0150	-	-
71	804.580	1x	51.96601-0575	-	-
71/1	803.970	1x	51.96601-0577	-	-
75	830.748	1x	51.15901-0012	Metal-soft material	-
75	314.812	1x	51.08901-0096	Metal	-